

**Escutcheon foil for reader module**



Without aperture (blank)



With PC aperture (profile cylinder)

- > Area of application: Cover foil for sticking onto DT 710 reader module
- > Material: Plastic
- > Colour: Grey or white

Apertures	Colour	Cat. No.
Blank	Grey	917.80.424
	White	917.80.425
PC	Grey	917.80.420
	White	917.80.421

**Order reference**

Customised design of the escutcheon foil available on request (from an order quantity of 50 pieces).

The DT 710 door terminal set is supplied with escutcheon foil Cat. No. 917.80.424.



3

**DT 700/710 Office Conversion set**



- > Functionality: Doors in the Office area do not require the "Do not disturb function DND". The rotating lever on the door terminal interior module can be converted using the pliers and plug.
- > Material: Pliers: Steel, plug: Plastic
- > Finish/colour: Plug: Matt black

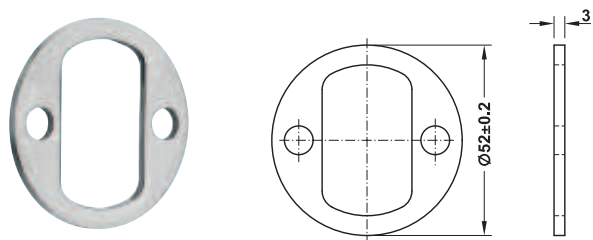
	Cat. No.
Pliers	917.90.019
Plug	917.80.693

**Note**

Disassembly without special pliers is not possible. Pliers are packed in sets of 50 pieces with installation instructions.

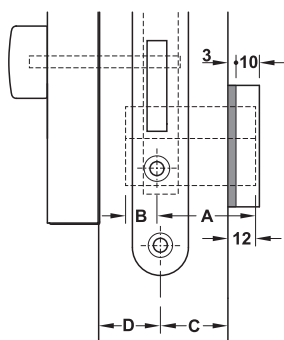
DGH-B-INT 2019, HDE-en, 12/18; Dimensional data not binding. We reserve the right to alter specifications without notice.

**Spacer plate for reader module**



- > Area of application: Dim. C of the profile cylinder may be too long for thin doors. In this case, a spacer plate can be used to compensate for deviations (max. 3 mm)
- > Thickness: 3 mm

**Compensation with spacer plate**



A spacer plate 3 mm can be used to compensate for thin doors (optional). The max. possible cylinder dimension (dim. A) is then increased by 3 mm. The min. cylinder dimension (dim. A) remains the same when using the blank escutcheon foil, when using the PC escutcheon foil it is increased by 3 mm. Dim B. max. = dim. D – 2 mm

Reader module with spacer plate 3 mm

**Technical Data**

DT 710 reader module with blank escutcheon foil

Dim. A mm	Dim. B mm	Dim. C mm	
		Comfort function inwards	Dim. C mm Comfort function outwards
<b>Single cylinder (e.g. 916.80.221)</b>			
21.5	10	14–22.5	16–25.5
<b>Single cylinder (e.g. 916.22.701)</b>			
27	10	19.5–28	21.5–30

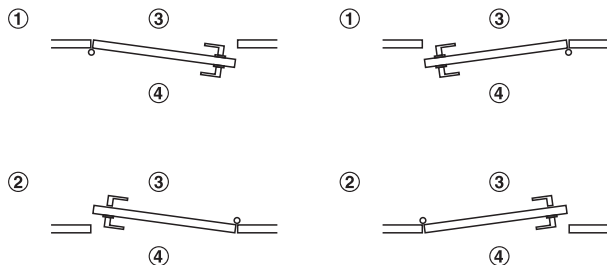
Material	Finish/colour	Cat. No.
Stainless steel	Satin	917.90.484
	Polished brass coloured	917.90.485
	Polished	917.90.479
	Black	917.90.478

**Comfort function**

Please note different dim. C with comfort function inwards and outwards opening doors.

DIN L

DIN R



- ① Comfort function inwards opening doors
- ② Comfort function outwards opening doors
- ③ Public area
- ④ Guest room

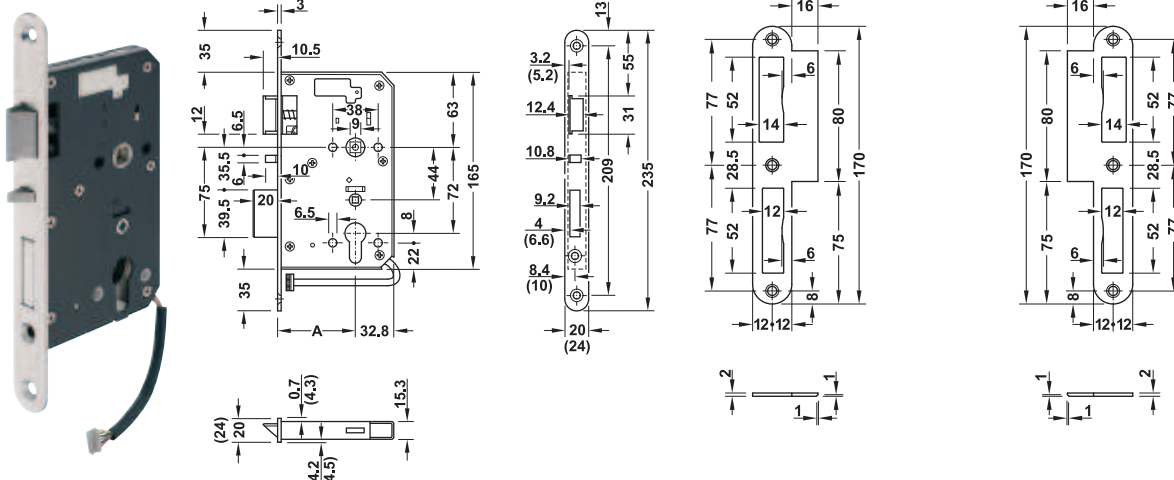
DGH-B-INT 2019, HDE-en, 12/18; Dimensional data not binding. We reserve the right to alter specifications without notice.



3

**(B) Mortice locks**

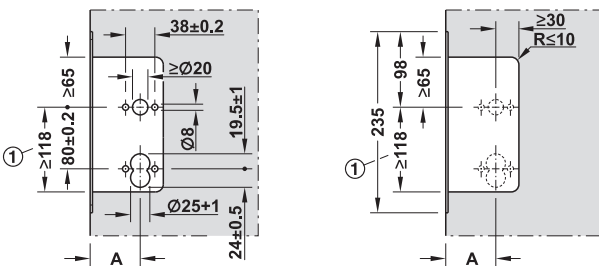
**DT 700 and DT 710 Mortice lock**



Flanged striking plate DIN L (only with forend plate 24 mm)      Flanged striking plate DIN R (only with forend plate 24 mm)

- > Area of application: For rebated doors (forend 20 mm) or flush doors (forend 24 mm), suitable for fire resistant and smoke control doors
- > Version: Electrically lockable (outside handle blocked) mortice lock with feedback, comfort function and emergency opening function, with deadlocking latchbolt, connection cable for electrical coupling and sensors. The outside handle is fixed when the door is locked. For use in combination with DT 400 and adapter cable.
- > Type of locking: Prepared for profile cylinder – required for emergency opening
- > Deadbolt: 1-turn
- > Forend: Round
- > Lever follower: 9 mm
- > Distance: 72 mm
- > Mounting: DIN L and DIN R
- > Material: Forend: Stainless steel, latchbolt and lock case: Steel, lever follower: Malleable cast
- > Finish: Satin, lock case: Black

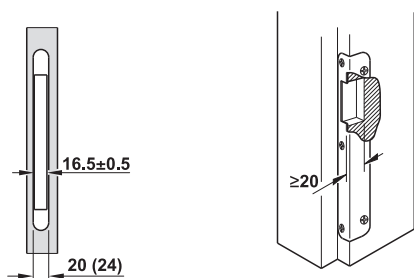
**Installation**



Door leaf drilling dimensions

Lock case routing dimensions

Observe the mortice dimensions. Dimension ① in drawing is greater than with normal mortice locks due to the cable outlet.



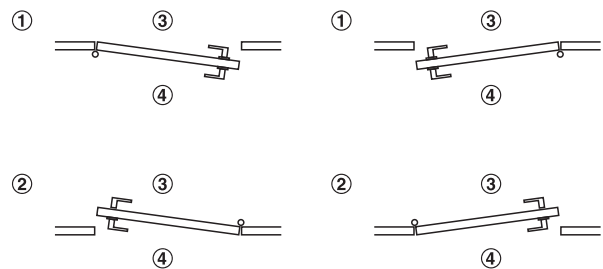
The forend screw supplied with the mortice lock must be installed with backset 55 mm.

**Determination of comfort function**

A door can be inwards or outwards opening irrespective of the mounting.

DIN L

DIN R



- ① Comfort function inwards opening doors
- ② Comfort function outwards opening doors
- ③ Public area
- ④ Guest room

**P** The side with comfort function is marked with a label.  
**DIN R**

**Emergency opening function**

Emergency opening function is monitored (feedback).  
Opening of door from outside: By turning the key in the profile cylinder (key action), the latchbolt and deadbolt are retracted.  
Opening of door from inside: By activating the lever handle, the latchbolt and deadbolt are retracted.

**B Mortice locks****Supplied with**

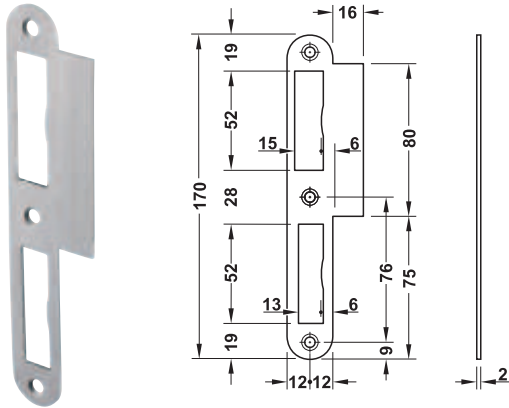
- 1 mortice lock
- 1 forend screw 70 mm (only for backset 55 mm; installation mandatory)
- 1 round or square forend, satin or polished stainless steel, polished brass coloured or satin black
- 2 fixing screws, colour-coordinated
- 1 flanged striking plate, same colour as the mortice lock  
(only supplied with forend width 24 mm)

Forend width mm	Mounting	Stainless steel			
		Satin	Black satin	Polished brass coloured	Polished
<b>Backset A 55 mm, forend round</b>					
20	DIN L, comfort function outwards	917.81.730	917.81.738	917.81.735	917.81.737
	DIN L, comfort function inwards	917.81.710	917.81.718	917.81.715	917.81.717
	DIN R, comfort function outwards	917.81.740	917.81.748	917.81.745	917.81.747
	DIN R, comfort function inwards	917.81.720	917.81.728	917.81.725	917.81.727
24	DIN L, comfort function inwards	–	917.81.719	–	–
	DIN L, comfort function outwards	–	917.81.739	–	–
	DIN R, comfort function inwards	–	917.81.729	–	–
	DIN R, comfort function outwards	–	917.81.749	–	–
<b>Backset A 65 mm, forend round</b>					
20	DIN L, comfort function outwards	917.81.731	917.81.882	917.81.736	917.81.880
	DIN L, comfort function inwards	917.81.711	917.81.862	917.81.716	917.81.860
	DIN R, comfort function outwards	917.81.741	917.81.883	917.81.746	917.81.881
	DIN R, comfort function inwards	917.81.721	917.81.863	917.81.726	917.81.861
24	DIN L, comfort function outwards	917.81.781	917.81.886	917.81.786	917.81.884
	DIN L, comfort function inwards	917.81.761	917.81.866	917.81.766	917.81.864
	DIN R, comfort function outwards	917.81.791	917.81.887	917.81.796	917.81.885
	DIN R, comfort function inwards	917.81.771	917.81.867	917.81.776	917.81.865
<b>Backset A 65 mm, forend square</b>					
24	DIN L, comfort function outwards	917.81.787	–	917.81.788	–
	DIN L, comfort function inwards	917.81.767	–	917.81.768	–
	DIN R, comfort function outwards	917.81.797	–	917.81.798	–
	DIN R, comfort function inwards	917.81.777	–	917.81.778	–
<b>Backset A 80 mm, forend round</b>					
20	DIN L, comfort function outwards	917.84.020	917.84.024	917.84.026	917.84.022
	DIN L, comfort function inwards	917.84.000	917.84.004	917.84.006	917.84.002
	DIN R, comfort function outwards	917.84.021	917.84.025	917.84.027	917.84.023
	DIN R, comfort function inwards	917.84.001	917.84.005	917.84.007	917.84.003
24	DIN L, comfort function outwards	917.84.028	917.84.032	917.84.034	917.84.030
	DIN L, comfort function inwards	917.84.008	917.84.012	917.84.014	917.84.010
	DIN R, comfort function outwards	917.84.029	917.84.033	917.84.035	917.84.031
	DIN R, comfort function inwards	917.84.009	917.84.013	917.84.015	917.84.011

**Order reference**

- Striking plate is not supplied with mortice locks with 20 mm forend width.
- Please order separately.
- The supplied forend screw must be installed with backset 55 mm.

**Flanged striking plate**



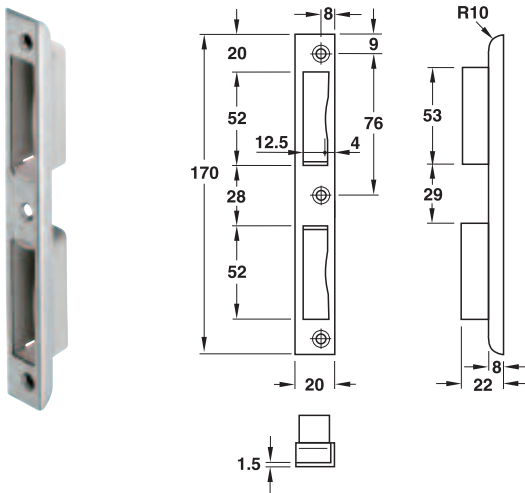
- > Area of application: For wooden frames, for flush doors, Straight flange
- > Version:

Material	Finish/colour	DIN left	DIN right
Stainless steel	Satin	911.39.747	911.39.748



3

**Recessed striking plate**

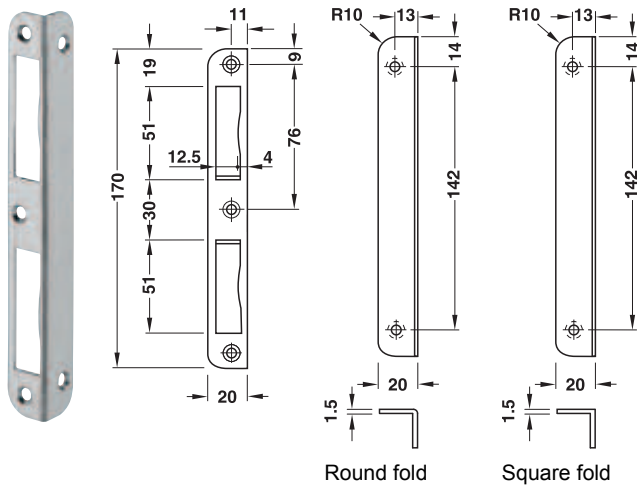


- > Area of application: For wooden frames, for rebated doors
- > Version: For 2-turn mortice locks, with plastic strike box
- > Mounting: For DIN left and DIN right hand use

Material	Finish/colour	Cat. No.
Stainless steel	Satin, light grey plastic strike box	911.39.013

DGH-B-INT 2019, HDE-en, 12/18; Dimensional data not binding. We reserve the right to alter specifications without notice.

**Angled striking plate**

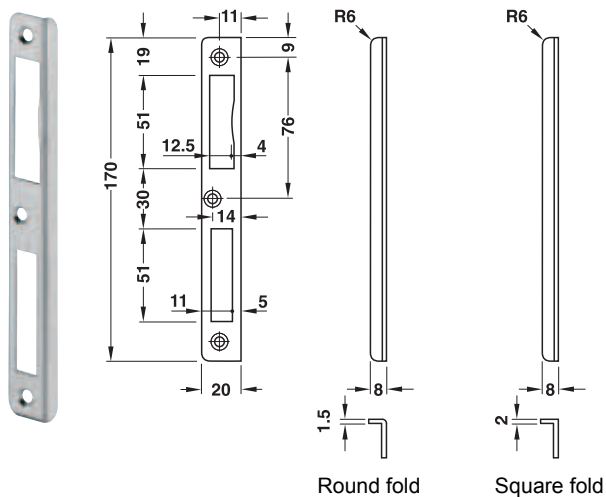


- > Area of application: For wooden frames, for rebated doors
- > Version: Round or square
- > Mounting: For DIN left and DIN right hand use

Version	Material	Finish/colour	Cat. No.
Round	Stainless steel	Satin	911.39.001
Square	Brass	Polished with protective lacquer	911.39.002
Round	Steel	White lacquered	911.39.022
		Nickel silver colour, lacquered	911.39.021
		Brass coloured, hammer effect enamelled lacquered	911.39.020



**Angled striking plate**



- > Area of application: For wooden frames, for rebated doors, for mortice locks with high deadbolt
- > Version: Round or square

Version	Material	Finish	DIN left	DIN right
Round	Stainless steel	Satin	911.39.023	911.39.024
Square	Brass	Polished with protective lacquer	911.39.025	911.39.026

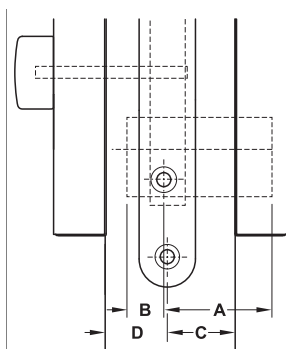
**Profile cylinders**



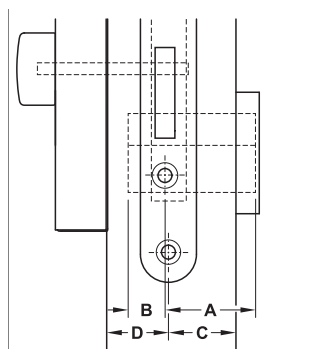
- > Type of locking: Keyed alike or keyed alike S1
- > Material: Cylinder housing: Brass, key: Steel
- > Finish: Cylinder housing and key: Nickel plated

Single cylinder

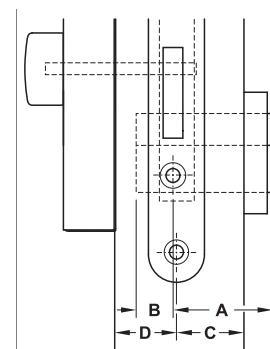
Single cylinder



DT 700 reader module



DT 710 reader module with blank escutcheon foil



DT 710 reader module with PC escutcheon foil

Dim. A mm	Dim. B mm	Dim. C mm Comfort function inwards	Dim. C mm Comfort function outwards	Dim. C mm Comfort function inwards	Dim. C mm Comfort function outwards	Dim. C mm Comfort function inwards	Dim. C mm Comfort function outwards
<b>Single cylinder</b>							
21.5	10	7–21	10–24	14–34	18–37	5–10	7.5–12.5
<b>Single cylinder</b>							
27	10	13.5–17.5	16–20	19.5–25	21.5–27	10–15	13–18
31		17.5–21.5	20–24	23.5–29	25.5–31	14–19	17–22
35		21.5–25.5	24–28	27.5–33	29.5–35	18–23	21–26
40		26.5–30.5	29–33	32.5–38	34.5–40	23–28	26–31
45		31.5–35.5	34–38	37.5–43	39.5–45	28–33	31–36
50		36.5–40.5	39–43	42.5–48	44.5–50	33–38	36–41
55		41.5–45.5	44–48	47.5–53	49.5–55	38–43	41–46
60		46.5–50.5	49–53	52.5–58	54.5–60	43–48	46–51
65		51.5–55.5	54–58	57.5–63	59.5–65	48–53	51–56
70		56.5–60.5	52–63	62.5–68	64.5–70	53–58	56–61

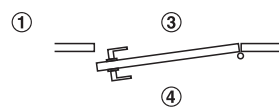
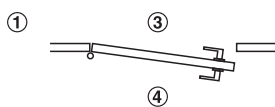
Dim. B max. = dim. D – 2 mm

**Comfort function**

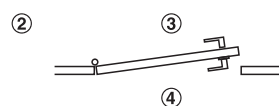
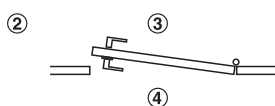
Please note different dim. C with comfort function inwards and outwards opening doors.

DIN L

DIN R

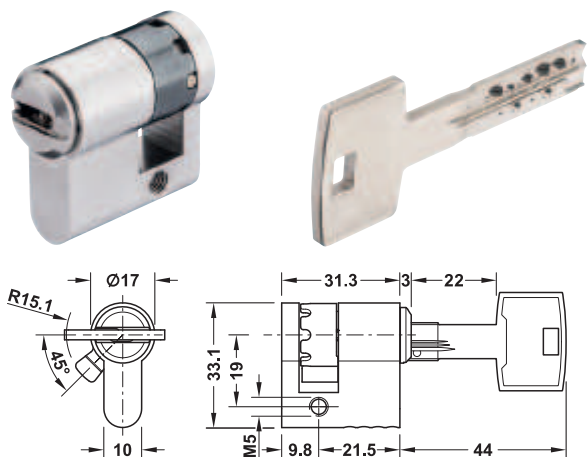


- ① Comfort function for inwards opening doors
- ② Comfort function for outwards opening doors
- ③ Public area
- ④ Guest room



DGH-B-INT 2019, HDE-en, 12/18; Dimensional data not binding. We reserve the right to alter specifications without notice.

**Single cylinder**



- > Type of locking: Keyed alike
- > Locking system: With 3 pin tumblers
- > Material: Cylinder housing and key: Brass
- > Finish: Cylinder housing and key: Nickel plated
- > Length L: 31.3 mm
- > Dim. A: 21.5 mm
- > Dim. B: 9.8 mm

**Note**

The single cylinder is suitable for smoke control or fire resistant doors.

→ **Keyed alike**

**Supplied with**

- 1 single cylinder
- 1 fixing screw M5 x 80 mm

	Key change	Cat. No.
Single cylinder, without key	1	916.80.221
	2	916.80.222
	3	916.80.223
	4	916.80.224
	5	916.80.225
	6	916.80.226
	7	916.80.227
	8	916.80.228
	9	916.80.229
	10	916.80.230

**Order reference**

Please order suitable keys for cylinder separately.

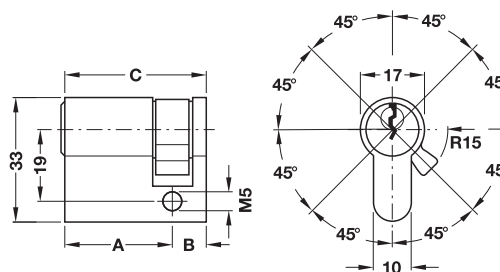
→ **Key**

**Supplied with**

- 1 extended key

	Key change	Cat. No.
Key	1	916.80.941
	2	916.80.942
	3	916.80.943
	4	916.80.944
	5	916.80.945
	6	916.80.946
	7	916.80.947
	8	916.80.948
	9	916.80.949
	10	916.80.950

**Single cylinder**



- > Material: Cylinder housing: Brass
- > Locking system: With 5 pin tumblers
- > Version: Follower adjustable to 12 positions
- > Standard: Certified in compliance with DIN 18252-70 and EN 1303:2005

**Note**

No secured locking.

**Supplied with**

- 1 single profile cylinder
- 3 nickel plated steel keys
- 1 fixing screw M5 x 80 mm

→ **Keyed alike**

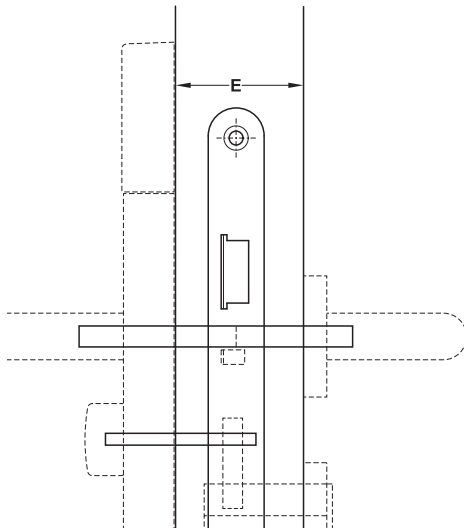
Dim. A mm	Dim. B mm	Dim. C mm	S1 keyed alike	GLS keyed alike
27	10	37	916.22.701	916.23.301
31		41	916.22.702	916.23.302
35		45	916.22.703	916.23.303
40		50	916.22.704	916.23.304
45		55	916.22.705	916.23.305
50		60	916.22.706	916.23.306
55		65	916.22.707	916.23.307
60		70	916.22.708	916.23.308
65		75	916.22.709	916.23.309
70		80	916.22.710	916.23.310

DGH-B-INT 2019, HDE-en, 12/18; Dimensional data not binding. We reserve the right to alter specifications without notice.





**Screw set**



- > **Functionality:** For connecting the exterior/interior module and thumbturn with the mortice lock
- > **Material:** Stainless steel

**Note**

A special bit / screwdriver is required for mounting the cylinder screws with security pin.

**Supplied with**

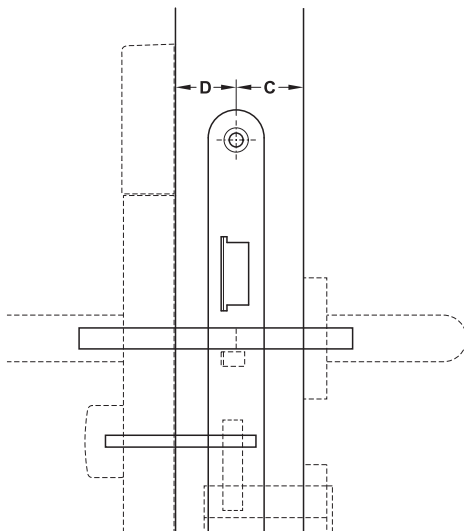
4 cylinder screws M4, hexagon socket SW3, with security pin

Version	Dim. E mm	Stainless steel			
		Satin	Black	Polished brass coloured	Polished
Screw set 1	35–45	917.80.851	917.80.881	917.80.871	917.80.861
Screw set 2	45–65	917.80.852	917.80.882	917.80.872	917.80.862
Screw set 3	65–85	917.80.853	917.80.883	917.80.873	917.80.863
Screw set 4	85–95	917.80.854	917.80.884	917.80.874	917.80.864

Processing and installation

► AH 3.21

**Square spindle set**



- > **Functionality:** For connecting the exterior and interior lever handle and thumbturn with the mortice lock
- > **Material:** Steel

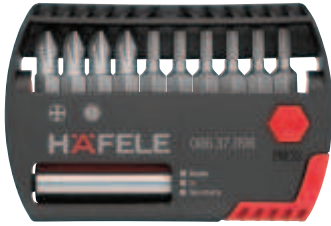
**Supplied with**

2 spindles 9 mm  
 1 (2) DND-S

Version	Dim. C mm	Dim. D mm	Cat. No.
Square spindle set 1	14–30	14–30	917.80.831
Square spindle set 2	14–30	30–45	917.80.832
Square spindle set 3	14–30	45–60	917.80.833
Square spindle set 4	30–45	14–30	917.80.834
Square spindle set 5	30–45	30–45	917.80.835
Square spindle set 6	30–45	45–60	917.80.836
Square spindle set 7	45–60	14–30	917.80.837
Square spindle set 8	45–60	30–45	917.80.838
Square spindle set 9	45–60	45–60	917.80.839

DGH-B-INT 2019, HDE-en, 12/18; Dimensional data not binding. We reserve the right to alter specifications without notice.

**Bit box**



- > Area of application: For mounting the DT 700 / DT 710 door terminal, for SW3 hex socket head screws with security pin and PH2 screws
- > Length: 25 mm
- > Drive: 1/4"

**Supplied with**

- 1 universal magnetic holder
- 6 bits for SW3 hex socket head screws with drill hole for security pin
- 4 PH2 bits

	Cat. No.
Bit box	006.37.098

**Screwdriver**

For SW3 hex socket head screws, with security pin



	Cat. No.
Screwdriver	006.28.610

**Battery AA**



- > Operating temperature: -18 to +55 °C with alkaline-manganese, -40 to +60 °C with lithium

**Note**

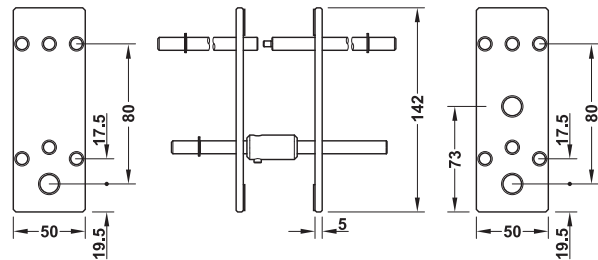
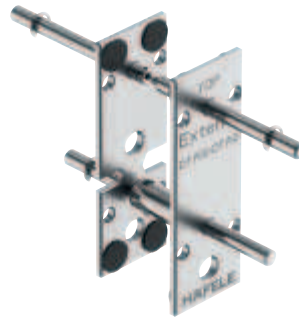
We recommend using these batteries only in order to guarantee smooth operation of the Dialock terminals.

	Packing	Cat. No.
Alkaline-manganese battery 1.5 V AA (standard)	10 or 120 pieces	910.54.980
Lithium battery 1.5 V AA	2 or 10 pieces	910.54.940

**Order reference**

4 pieces required for one door terminal set.

**Drilling jig**



- > Area of application: For work preparation for mounting the DT 700 / DT 710 door terminals on door

**Installation**

Information on how to use the drilling jig can be found in the installation instructions for DT 700 / DT 710 door terminal. The installation instructions can be found in our online shop.

**Supplied with**

- 2 steel plates (inside and outside)
- Centring pins with stop sleeves

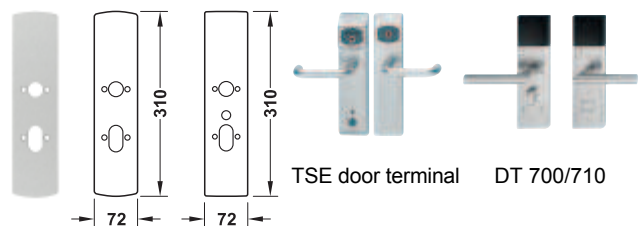
	Cat. No.
Drilling jig	917.90.016

**Order reference**

Please order router bit (910.54.995 or 910.54.997) and router bit guide PZ (917.90.009) separately.

**Cover plate**

For covering the edge of the drill holes for TSE door terminals



- > Area of application: For covering the installation holes (with possible colour deviations and pressure marks) when converting TSE door terminal to DT 700/710 door terminal
- > Material: Stainless steel
- > Finish: Satin

**Note**

Also suitable for the use on fire resistant and smoke control doors. 2 cover plates are required for 1 door.

	Cat. No.
Cover plate for external terminal side	917.90.104
Cover plate with DnD aperture for internal terminal side	917.90.105

**Order reference**

Minimum order quantity for cover plates is 20 pieces.

DGH-B-INT 2019, HDE-en, 12/18; Dimensional data not binding. We reserve the right to alter specifications without notice.

